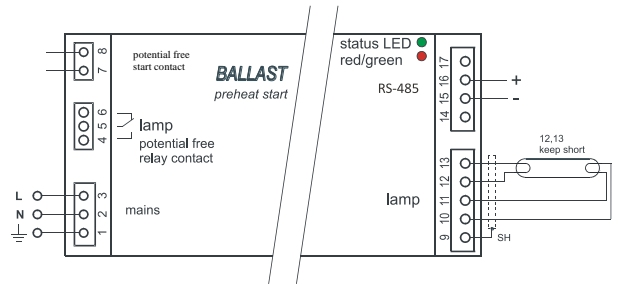


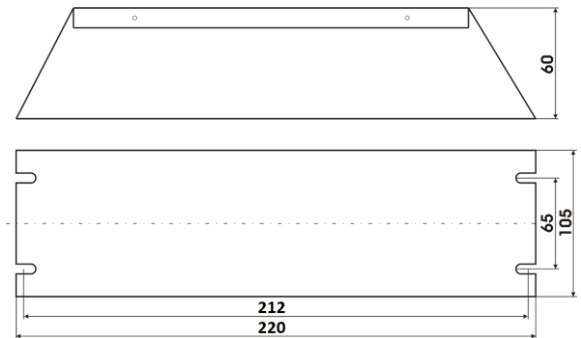
**Electronic Ballast for UVC-Lamps with adjustable Lamp Current**



**Wiring**



**Dimensions**



**Features**

- Controller based design (Cut-Off preheat start)
- Lamp current adjustable in steps
- External/internal start alternatively
- Inrush current limiter
- Potential free relay contact
- Opportunity of Remote control via RS-485 interface

**Technical Data**

Type	LT-UVC 1x(40..150) W 0,8 ..1,5 A 48 V DC
Supply	48 V DC -10% / +17%
Input power min. / max.	45 W .. 165 W
Output power single lamp	40 W .. 150 W
Adjustable range of lamp current	(0,8 A / 1,2 A / 1,5 A) ± 10 %
Efficiency	> 0,9
Operating frequency	approx. 28..70 kHz
Relay Contact	1 changeover contact
Relay Contact – Maximum switching voltage	5 A 250 V AC / 5 A 24 V DC (resistive load)
Relay Contact – Minimum switching load	≥ 5 V DC / 10 mA
External start input	10..230 V AC / DC (potential free)
Standby power dissipation	approx. 2 W
CE-conformity	yes

**Type coding**

C	Preheat start ballast (Cut off Technology)
M	Potential free relay contact
E	External start input
B	Additional module – selection lamp current
I	Additional module – Remote control via RS-485 interface

**Adjustment of lamp current**

Adjustment by rotary switch on top of the ballast		Pos. 0..4: internal start (local start) – ballast starts automatically after mains turn on Pos. 5..9: external start (remote start) – ballast starts by external start signal at the start input No warranty for damages caused by incompatible lamps or wrong adjustments!
Lamp typ	On request	
Adjustment of lamp current parameters	Must be carried out before voltage application, switching during operation will not be detected	

**Adjustment of lamp current**

Switch	Lamp current	preheat current maximal
0/5	0,8 A	1,0 A
1/6	1,2 A	1,6 A
2/7	1,2 A	2,1 A
3/8	1,5 A	1,6 A
4/9	1,5 A	2,1 A

**Monitoring**

Mains Control	Switch off at permanent under – or over voltage
Temperature	Switch off at permanent over temperature
Lamp presence	No start if no lamp is connected
Deactivated lamp, rectifier effect of lamps	Switch off
Shortage on the lamp line	Switch off
End of life lamp	Switch off

**General indications**

Operation	LED green – works normal
Failure	LED red – failure, no operation
Potential free contact (PFK)	Relay on – works normal Relay off – failure or ballast does not start (Standby)

**State indications operation/failure**

Ballast status	PFK	LED green	LED red	Description	Cause
No start condition	Off	Permanent blink	Permanent blink	Ballast waits for start	- Under- or over voltage mains - Over temperature - No lamp connected
Ballast start / preheating	Off	blinking	On	Lamp preheating	
Ballast start / procedure	Off	Off	On	Lamp starts	
Ballast works trouble free	On	On	Off	Normal mode	
Failure Temperature	Off	Off	1x blinking	Cut off at over temperature Ambient temperature too high Temperature at tc too high	- Wrong installation - No heat dissipation , surface of housing too small
Under voltage mains	Off	Off	2x blinking	Switch off at wrong mains	- Mains voltage under limit
Over voltage mains	Off	Off	3x blinking	Switch off at wrong mains	- Mains voltage over limit
Failure lamp voltage	Off	Off	4x blinking	- Switch off Lamp voltage out of tolerance	- Wrong lamp type in use - End of lamp life - Rectifier effect of lamp - Start with deactivated lamp
Failure over current half bridge	Off	Off	5x blinking	Switch off by over current half bridge (abnormal operation)	- Wrong lamp wiring - Shortage on lamp lines - Start without lamps
Failure Preheating over current half bridge	Off	Off	6x blinking	Switch off by over current half bridge (abnormal operation)	- Wrong lamp electrode - Shortage lamp electrode

**Mounting instructions**

Designed for	Installations in switch cabinet
International protection	IP20
Dimension of case	220 x 105 x 60 mm
Spacing fixing holes	212 mm
Ambient temperature	ta = 0..40 °C
Temperature at tc-point	tc = 55 °C maximum case temperature

**Cabling**

Max. length of lamp cables	< 5 m
Max. capacitance of lamp cables	< 150 pF/m
Screened lamp cables permitted	yes

**Terminal blocks**

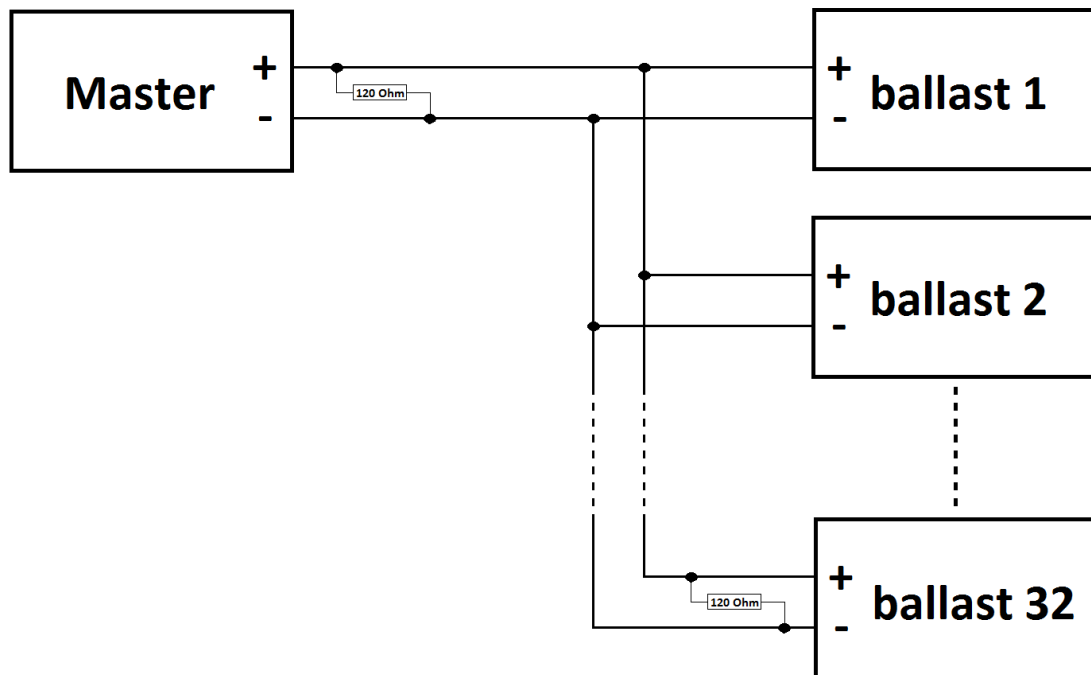
Mains	Cross section: 0,75–2,5 mm <sup>2</sup> (solid) Cross section: 0,75–1,5 mm <sup>2</sup> (fine-stranded with ferrule)
Lamp	Cross section: 0,75–2,5 mm <sup>2</sup> (solid) Cross section: 0,75–1,5 mm <sup>2</sup> (fine-stranded with ferrule)
Relay contact (PFK):	Cross section: 0,2–1,5 mm <sup>2</sup> (solid) Cross section: 0,25–1,0 mm <sup>2</sup> (fine-stranded with ferrule)
external Start input:	Cross section: 0,2–1,5 mm <sup>2</sup> (solid) Cross section: 0,25–1,0 mm <sup>2</sup> (fine-stranded with ferrule)
external status LED	Cross section: 0,2–1,5 mm <sup>2</sup> (solid) Cross section: 0,25–1,0 mm <sup>2</sup> (fine-stranded with ferrule)

**Communication parameters**

Baud rate	9600
Date bit	8
Stop bit	1
Parity	none

**Wiring RS-485 interface**

Maximum number of slaves	32
Bus termination	120 Ohm resistor at both ends of the network



**Addressing**

Ballast-address	DIP-switch				
	1	2	3	4	5
1	0	0	0	0	0
2	1	0	0	0	0
3	0	1	0	0	0
4	1	1	0	0	0
5	0	0	1	0	0
6	1	0	1	0	0
7	0	1	1	0	0
8	1	1	1	0	0
9	0	0	0	1	0
10	1	0	0	1	0
11	0	1	0	1	0
12	1	1	0	1	0
13	0	0	1	1	0
14	1	0	1	1	0
15	0	1	1	1	0
16	1	1	1	1	0
17	0	0	0	0	1
18	1	0	0	0	1
19	0	1	0	0	1
20	1	1	0	0	1
21	0	0	1	0	1
22	1	0	1	0	1
23	0	1	1	0	1
24	1	1	1	0	1
25	0	0	0	1	1
26	1	0	0	1	1
27	0	1	0	1	1
28	1	1	0	1	1
29	0	0	1	1	1
30	1	0	1	1	1
31	0	1	1	1	1
32	1	1	1	1	1

**Function code**

Function code	MODBUS function	Register
01	Read Boolean variables	1 - 3
03	Read Numeric variables	4001 - 4014
05	Set Single Boolean variables	1 - 3
06	Set Single Numeric variables	4009

**Data**

Register	Address	Name	Description	Data type
1	0x00	Power	0 = ON (ballast works) 1 = OFF (ballast in standby)	Boolean
2	0x01	Reserved		Boolean
3	0x02	RESET Operating time counter/Start counter	0 = Operating 1 = Set counter to 0	Boolean
4001	0x00	Ballast address	Displays the set ballast address (1 – 32)	Word
4002	0x01	Ballast type	1 = LT-UVC1x(40..150)W-C/E/M/I 48 V DC	Word
4003	0x02	Switch position	Displays the adjustment of lamp current (0 – 9)	Word
4004	0x03	State	1 = Ballast start 2 = Lamp preheating 3 = Ballast works 4 = Ballast waits for start 5 = Reserved 6 = Failure – Temperature 7 = Failure – Under voltage mains 8 = Failure – Over voltage mains 9 = Failure – Lamp voltage 10 = Failure – Over current 11 = Failure – Over current Preheating	Word

4005	0x05	Operating time counter - Minute	Displays the operating time in minutes (0 - 60 min.) - counter only works in state 3 -	Word
4006	0x06	Operating time counter - Hour	Displays the operating time in hours (0 - 65535 h) - counter only works in state 3 -	Word
4007	0x09	Start counter	Displays the number of lamp starts (0 - 65535)	Word
4008	0x07	Dimm actual value	Displays the current dimm value in % (0 – 100 %)	Word
4009	0x08	Dimm point value (Digital)	Displays the set dimm value via RS-485 interface in % (0 – 100 %) - does not reflect the dimm value of the analog input -	Word
4010	0x09	Dimm timer (delay)	Displays the time until the dimming is ready in seconds (after lamps ignition the dimm function is blocked for 5 min.)	Word
4011	0x0B	Ballast temperature	Displays the temperature of the ballast in °C (ballast switch off at approx. 80 °C) - does not reflect the temperature at the case(tc-point) -	Word
4012	0x0C	Main voltage	1 = Mains voltage under limit ( $U_{\text{Netz}} < 187 \text{ V}$ ) 2 = Typical tolerance ( $187 \text{ V} < U_{\text{Netz}} < 253 \text{ V}$ ) 3 = Mains voltage over limit ( $U_{\text{Netz}} > 253 \text{ V}$ )	Word
4013	0x0D	Lamp voltage	Displays the lamp voltage in V ( $\pm 10\%$ )	Word
4014	0x0D	Lamp current	Displays the lamp current in mA ( $\pm 10\%$ )	Word

### Checksum

Calculation algorithm	CRC 16
Generator polynomial	0x8005
CRC-start value	0xFFFF

### Error control

Error code	Description
0x01	Using an unsupported function code
0x02	Using an invalid memory address